

CTH3-A 315 T4 0,25KW ATEX Zone 2: FAN (Ex h IIB T3 Gc) + MOTOR (Ex ec IIC T3 Gc) (279310106AXN)

GENERAL DATA



ROOF FAN, AL COWL ATEX

MANUFACTURING FEATURES

- Roof cowl made of aluminium
- Structure, roof base support and bird protection guard made of galvanised steel.
- High efficiency backward impeller with self-cleaning system of steel.
- ATEX standard asynchronous motor. ATEX certified according to the zone. IP55 protection and class F insulation. Manufactured with standard voltages: 230/400V 50Hz for three phase motors up to 4kW and 400/690V 50Hz for higher powers.

APPLICATIONS

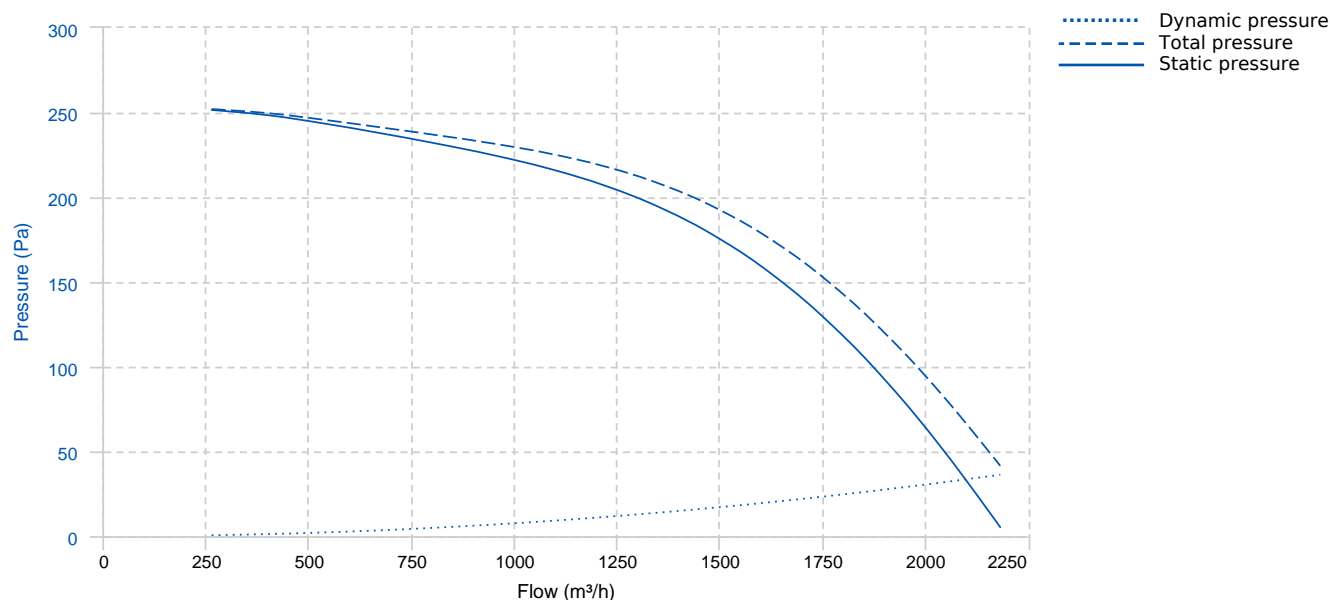
Ventilation in indoor environments classified as ATEX. Specially designed for roof installation, they are suitable for:

- Smoke extraction.
- Smoke emergency exhaust with motor outside the hazardous area.
- Air renewal in buildings and industries.
- Industrial and professional kitchen hoods.
- Working temperature: ambient from -20°C to 40°C, transported air according to the ATEX classification.

UNDER REQUEST

- 60Hz and special voltages.

PERFORMANCE CURVE



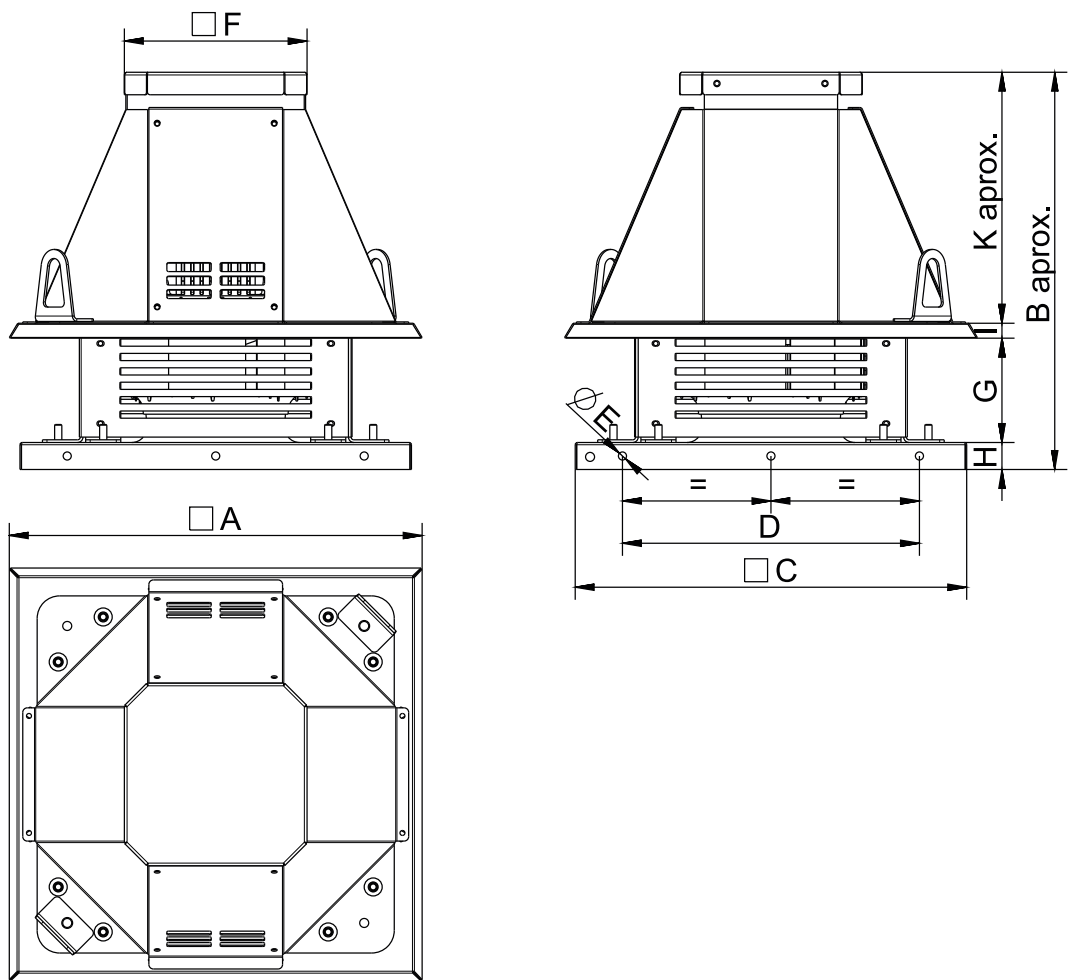
TECHNICAL DATA

Fan							
RPM	1400	Approx. weight	30 kg	Max. Flow	2190 m³/h		
Motor							
Power	0,25 kW	RPM	1400	I max. (400V)	0,84 A	Size	71

Motor

Approx. weight	6.5 kg	Efficiency (%)	55 %	FP	0.65
----------------	--------	----------------	------	----	------

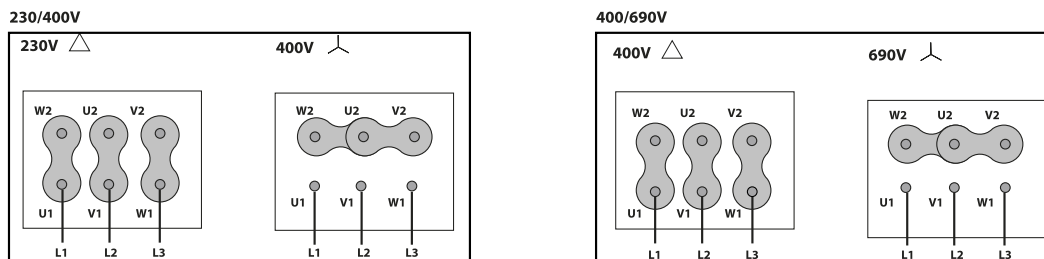
DIMENSIONS



Dimensions (mm)

A	583	B aprox	544,6	C	595	D	450	E	9
F	203	G	185,25	H	40	I	20,75	K aprox	298,5

WIRING DIAGRAM



ACCESSORIES



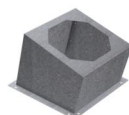
SAFETY SWITCH
INT 25 3P A
REF: INT253PA



ATEX SWITCH
INT 16 ATEX
REF: 510200016X

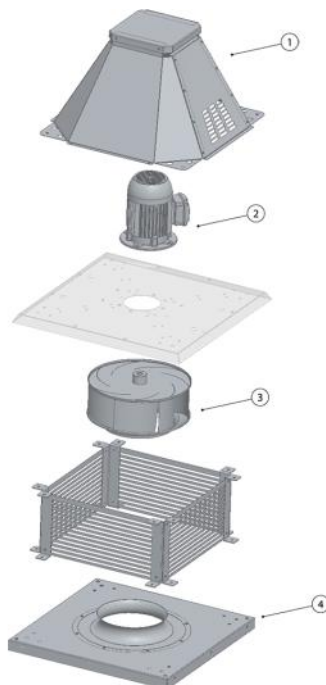


FREQUENCY SPEED CONTROLLER
SFC 400 III 1,2A *
REF: SFC400III1



INCLINED ROOF FAN SUPPORT
BTI 570
REF: A-50870570XX

SPARE PARTS



	Code	Model	Qty
1	R-279228491	ROOF COWL CTH3-A 225-315	x1
3	R-279319381	IMPELLER THRE R63B1 315X90x14 RD	x1